

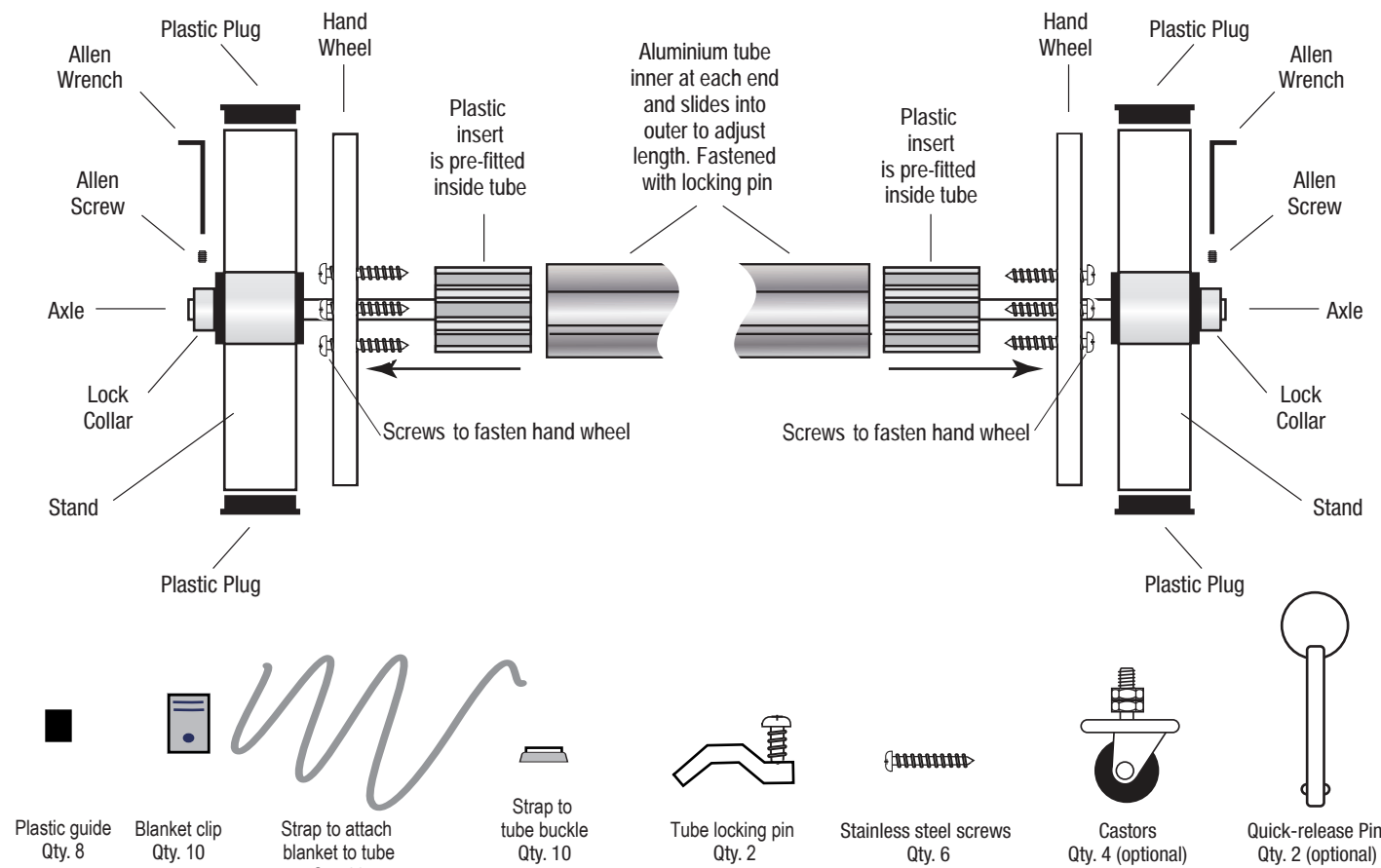
Thank you for purchasing a Hydrotools Pool Roller (reel). Please follow the instructions carefully to protect your warranty and enjoy years of hassle-free use.

**Please use your pool blanket and reel in the manner it was intended for:**

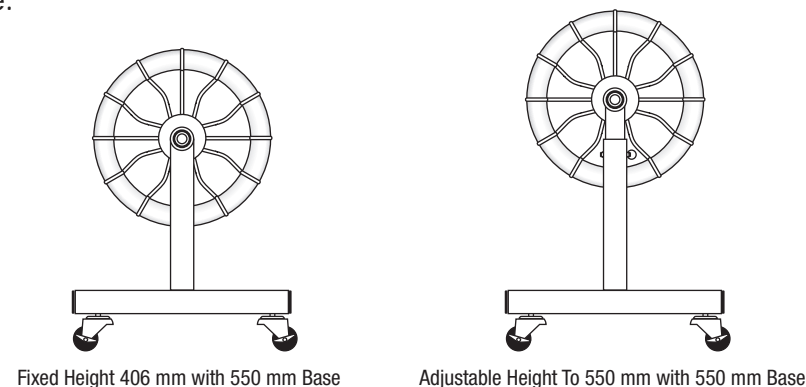
- Your pool blanket is not a safety cover
- Remove the pool blanket and reel assembly from the pool completely before swimming.
- Do not store the pool blanket on the ground in direct sunlight, as it will shorten the life of the blanket and may damage your lawn.
- Always cover your pool blanket with a protective overcover, when it is stored on the reel.

**Preparation And Assembly**

Check that you have all the items and assemble as illustrated below:



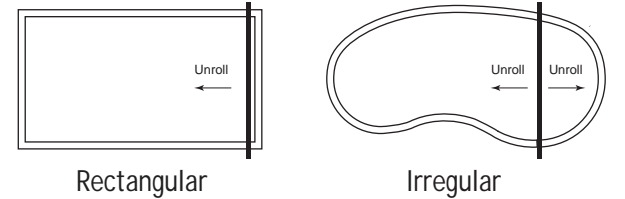
**Commercial Grade Reel Styles Available:**



**Positioning The Pool Roller**

For rectangular pools, place Reel at either end of the pool.

Diagram 2



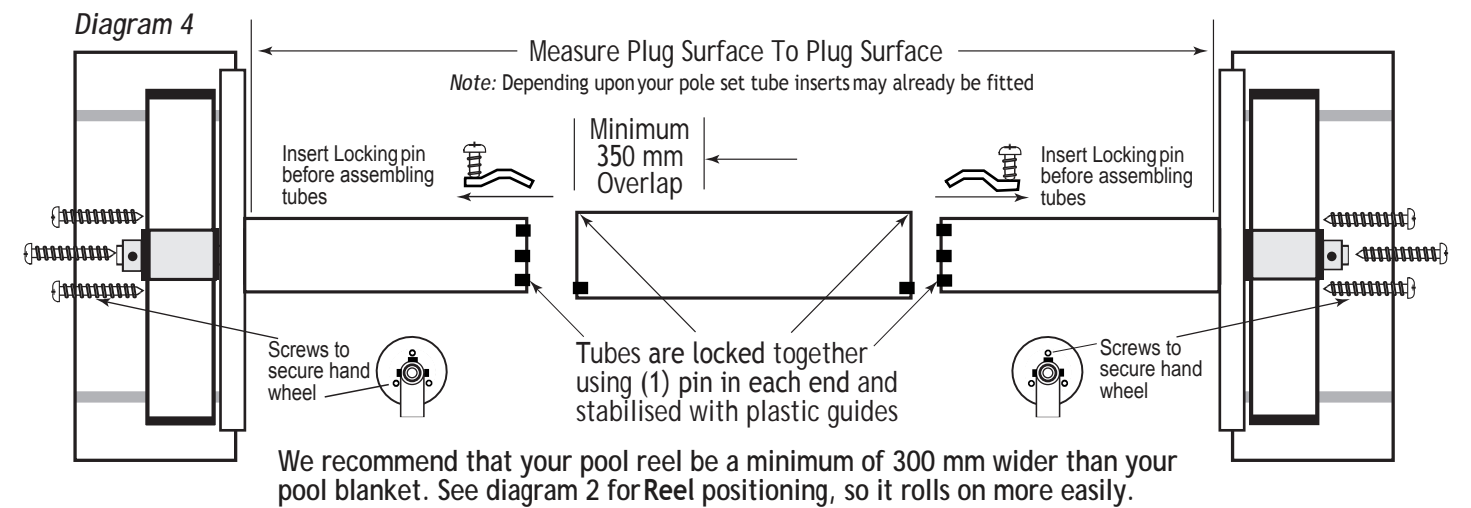
For irregular shaped pools, place Reel at the widest point of the pool. You will need to fasten the blanket so it unwinds in two directions. Refer Diagram 2 & Item 11.

**Fitting The Blanket**

Follow the instructions supplied with your pool blanket and fit it to the pool before you attach the blanket to the tube. The blanket will be easier to remove from pool your if it has been trimmed to the exact size of the pool. Small gaps at the edges do not affect the function of the pool blanket. Some pool blankets are trimmed larger than the size of the pool to prevent leaves and debris from entering the water. These can still be used with a storage reel, but can be a little more difficult to operate due to the extra drag caused by the excess material on the sides when handling.

**Assembling The Tube Set**

1. Check 3 plastic guides are evenly spaced around end of inner tube. Insert one locking pin, screw first into each keyway on the inner tube. Slide inner tubes inside larger outer tube to desired finished length making sure tubes are 300mm wider than the pool.
2. Slide any excess width into adjoining tubes, dividing it up as equally as possible. Note: You must have a minimum of 350 mm overlap in each tube for stability. Insert straps into tube keyway and space evenly around 600mm apart.
3. Slide locking pin inside outer tube, add plastic guide opposite pin and tighten screw so the tubes are secure and do not move.
4. Align the hand wheel with the 3 screw holes at each end and push firmly against the plastic end plug in the tube and screw in place.
5. Slide the frame over the axle at each end and then secure with the locking collar. Now you can finalise the position of the Reel and then evenly space the straps ready to connect to the pool cover.



**Attaching the straps**

Check the straps are evenly spaced across the cover. Fasten the strap by piercing the blanket with a pointed screw driver or metal tip pen. Then push the plastic spigot through the pool cover and snap the two sides together.

Adjust the length of the strap using the buckle provided at either end. It is important the length of the straps give even tension when rolling up the pool cover. Once all the straps have been adjusted in length, roll the cover onto the Reel and check the cover is rolling evenly. If it rolls to one side, it means the straps are not even so you need to unroll the cover and adjust the length of the straps and test roll it up again. Do this until the cover rolls nice and evenly. This adjustment to get it right will make it easier for you every time you use the cover.

How to attach the strap to the middle of the blanket. On a kidney or irregular shaped pool, the reel works best when it is fitted across the pool at the widest part as shown in Diagram 2. This allows the blanket to roll freely onto the reel and makes it much easier to roll on and off. To attach the straps to the blanket for this style of pool, you need to use the extra plastic grommets provided.

With this method, the straps are fastened to the blanket using the plastic grommets. First remove the white plastic blanket clip from the end of each strap. Each grommet is fastened through the blanket as shown in Diagram 8.

On irregular shaped pools where the tube spans the pool, you will need two grommets per strap spaced 50 mm apart. Refer Diagram 9.

Using a hammer and a piece of soft timber under the blanket fabric, punch a hole with the wad punch provided at each grommet location. Push the male grommet component through hole. Place female component into position and tap gently together with a hammer.

Loosen the strap from the buckle and remove the white plastic clip from the end of each strap. Then loop each strap through the double grommets and secure back through the buckle so it is adjustable. Refer Diagram 10

Adjust the length of the strap using the buckle to make sure the length of the straps are even and correct. Variations in the length of the strap will effect how straight the blanket rolls up, so it is important to adjust the length carefully. If you test roll the blanket onto the tube and it rolls unevenly, unroll it, adjust the length of the straps and roll it again until the blanket rolls evenly.

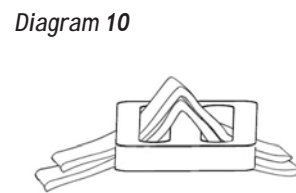
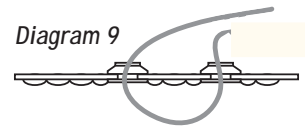
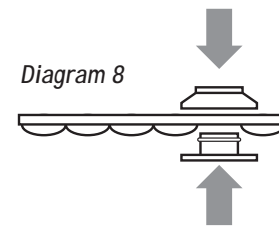
**Fitting your overcover.** The reel kit has been supplied with a protective cover to use when the blanket has been rolled onto the tube. You will void the warranty of most pool blankets if you do not cover it when stored on a reel.

Follow the separate instructions for fitting the overcover. Be sure to cover the blanket every time it is rolled onto the tube to protect it from heat build up that occurs when rolled up and exposed to the sun.

You are now ready to make using your floating pool cover quick and easy so you can enjoy the maximum benefits of having your pool covered when it is not in use.

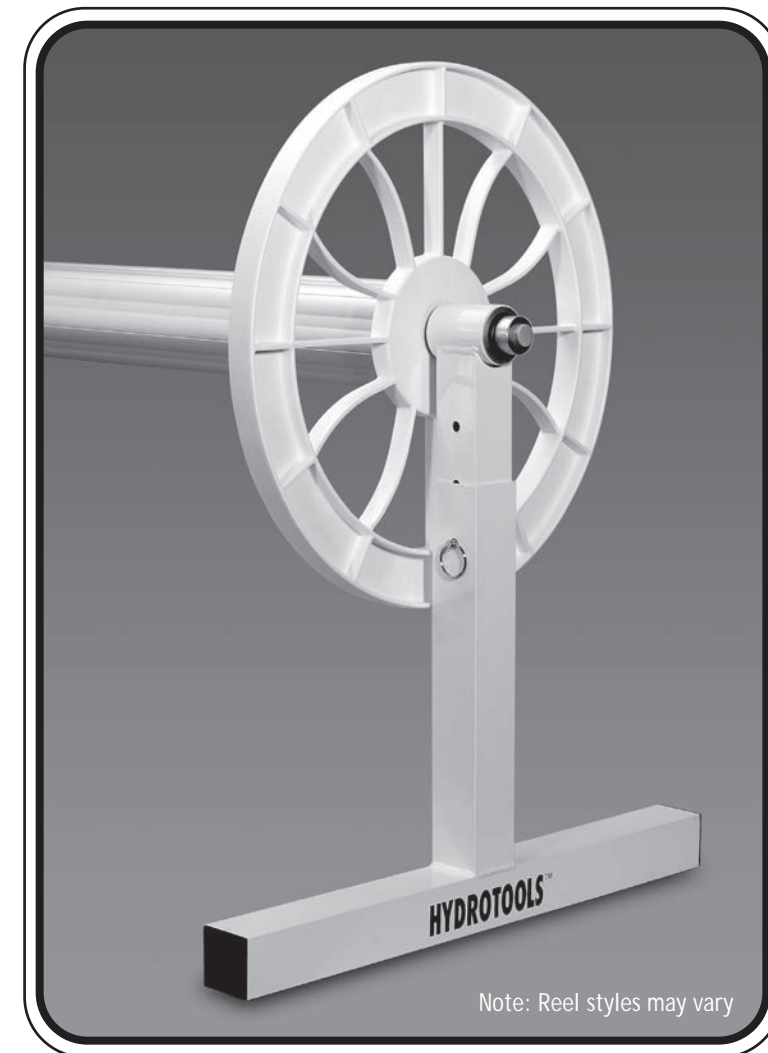
## Warranty

Your Endurance reel system is warranted for a full 12 months, and pro rata for up to five years on the components against faulty workmanship. If you find a component is faulty, post it pre-paid to: Hydrottools P/L, 56 Magnesium Drive, Crestmead, Qld 4132 with a copy of your proof of purchase and your postal address. A replacement part will be posted back to you.



# HYDROTOOLS™ Solar Reel™

Commercial Grade Reel System  
For Inground Solar Pool Covers  
Installation Instructions



Note: Reel styles may vary

Hydrottools Pty. Ltd.

ACN 107 829 603 ABN 45 107 829 603

56 Magnesium Drive, Crestmead, Queensland 4132 Australia

Home Page: [www.hydrottools.com.au](http://www.hydrottools.com.au) Email: [sales@hydrottools.com.au](mailto:sales@hydrottools.com.au)