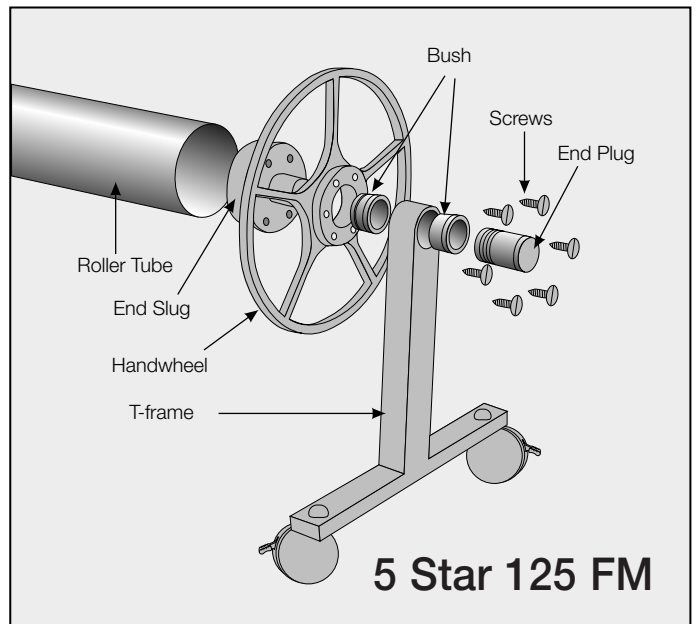
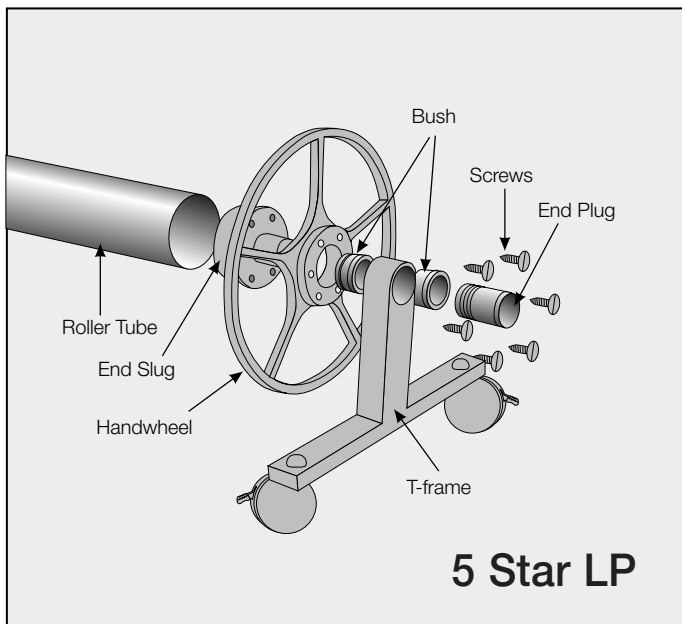
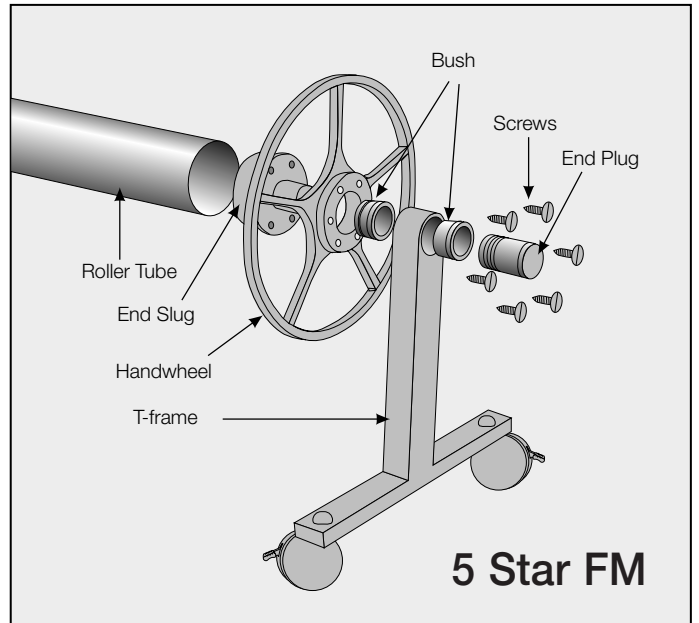
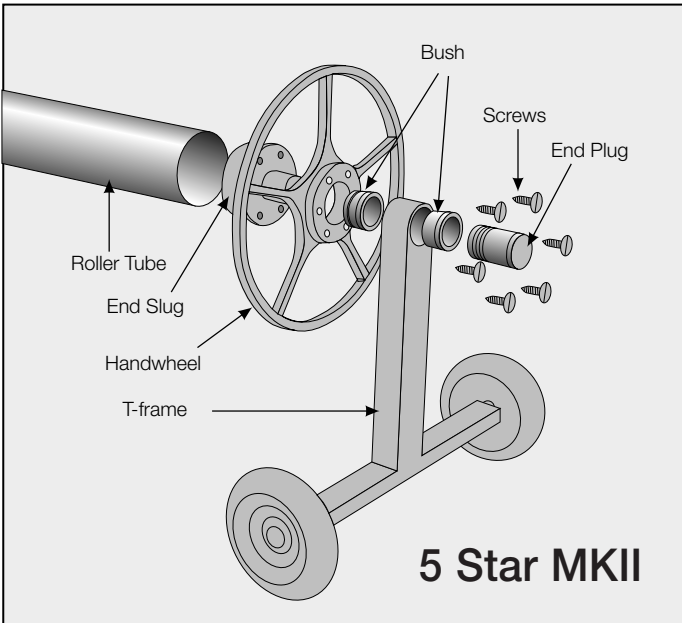
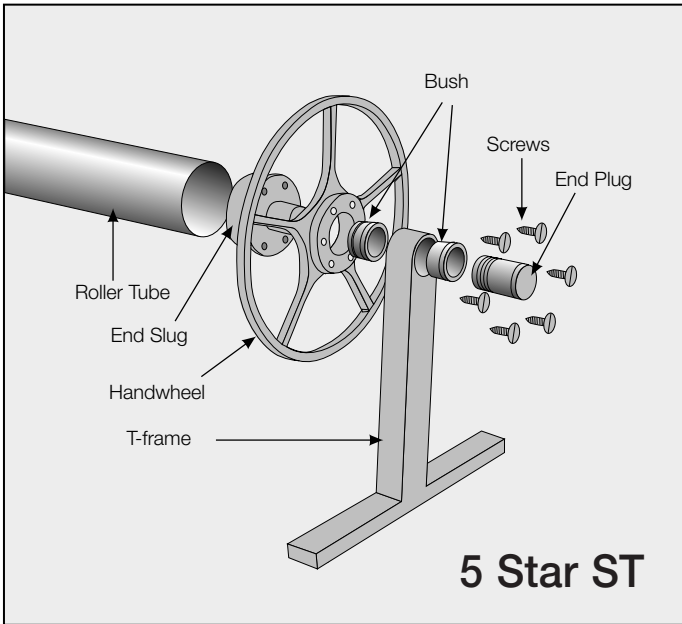


Installation Instructions

For: 5 Star ST, 5 Star MKII,
5 Star LP, 5 Star FM and 5 Star 125 Rollers



Having trouble? call the Daisy Help Line: 1300 551 811

www.daisypoolcovers.com.au

Installation Instructions

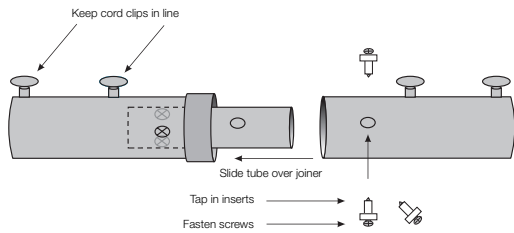


For: 5 Star ST, 5 Star MKII, 5 Star LP, 5 Star FM and 5 Star 125 Rollers

Roller Installation Instructions

NOTE-There are two tube styles. Fixed Length Tube and Segmented Tube

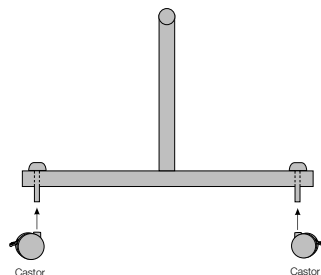
- 1) Segmented Roller only - slide the tube sections together so the rope clips on top of the tube are in line and the pre punched joiner holes are lined up.
- 2) Segmented Roller only - Install the joiner bolts by inserting the fitting in the hole and tightening the screw.



- 3) Place the roller tube evenly across one end of the pool.
- 4) Slide the handwheel over the end of the end slug and insert the 6 stainless steel screws, repeat for other end.
- 5) FM & LP Models only - Insert the castor on the exposed shaft on the underside of the "T" frame, with the castors on the ground tap the nut with a soft hammer (or stamp on with shoe) until castor clips home.
- 6) Slide the "T" frame onto the axle shaft on each end.

- 7) Tap the end plugs into each end of the end slug axle shafts. Do not hit hard.

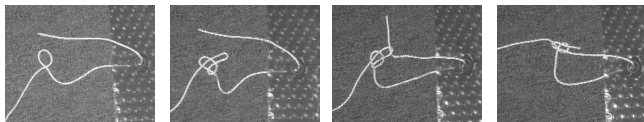
- 8) In line with the cord attachment on the roller tube, approximately 100mm in from the cut end of the blanket, punch a hole in the blanket with the wad punch supplied.



- 9) Install the eyelets by placing the male section on the ground, place the blanket hole over the male eyelet section place the female section on top and tap together

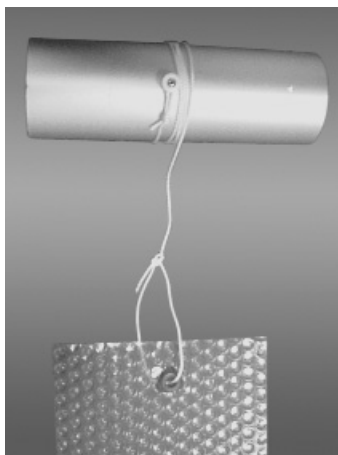
- 10) Tie a loop on one end of the cord and place over the cord attachment on the roller.

- 11) Take the other end of the cord and thread through the eyelet in the blanket. Simply follow the the illustrations below to tie knot.



- 12) Repeat step 8 to 11 for all cord attachments required on the blanket. If your pool has a curved end, then you only need to use 3-4 anchoring points.

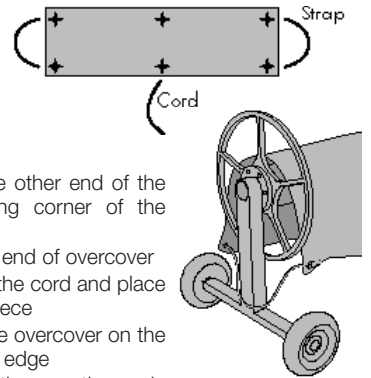
- 13) Adjust the cords with the cord adjuster so the blanket comes on to the roller tube evenly. Start from the centre and work one way outwards, then go back to the centre and work the other way ensuring all cords retrieve the blanket evenly. Minor adjustments may be required to get correct blanket recovery.



Overcover Installation Instructions

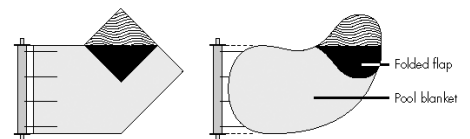
(if made up overcover is not supplied)

- 1) Cut the overcover to size (ie: over the roller between the handwheels)
- 2) Wrap one end of the black shock cord around the male section of the white overcover clip (between the centre section and the peg on each side).
- 3) Push the male section through the corner of the overcover sheet, in approximately 25mm from each edge. Place the white female section on the male section and tap home.
- 4) Repeat steps 2 and 3 for the other end of the shock cord on the opposing corner of the overcover – see diagram
- 5) Repeat steps 2 to 4 for other end of overcover
- 6) Make a loop with one end of the cord and place over centre section of male piece
- 7) Push male section through the overcover on the centre line in 25mm from one edge
- 8) Place the white female section on the male section and tap home.
- 9) Repeat steps 6 to 8 for the other side – see diagram
- 10) Place overcover on top of roller and wrap one strap around one handwheel
- 11) Place the other strap over the other handwheel
- 12) Tie the middle cord
- 13) Your overcover is now installed
- 14) Always use your overcover when you blanket is rolled up on your roller.



Tips for use

- 1) To prevent damage to your blanket, do not drag the blanket over abrasive pool decking or any sharp surfaces.
- 2) When rolling up the blanket onto the roller, ensure that it rolls up evenly.
- 3) Roll your blanket over the top of your roller when using.
- 4) Fold in any flaps or step areas on the blanket before rolling it up. This will ensure that you don't put excessive force on the blanket and allow it to move easily across the water and through the narrowest part of the pool towards the roller.
- 5) When putting the blanket back onto the pool, roll the blanket out slightly, fold one corner over onto itself (to create a bow effect), pick up the other corner and walk slowly down the side of your pool.
- 6) Do not sit or step on your roller. If the tube gets bent, it cannot be repaired.
- 7) On irregular shaped pools, the fold in odd shaped extrusions as shown:
- 8) Always cover your blanket when on the roller with the protective overcover supplied.



Warranty

To ensure receipt of the benefit of this warranty, complete this section upon the purchase and retain with purchase receipt and warranty form.

Purchaser: _____ Date: _____

Address: _____

_____ Phone: _____ City/State: _____

Postcode: _____ Purchased from: _____

This warranty covers the purchaser for defective material or workmanship on a pro-rata basis as set out below. The manufacturer will repair or replace the product upon inspection at their premises. The warranty will be void if the purchaser fails to comply with the manufacturers installation instructions.

5 Star Roller 10 Year, Year by Year Pro-rata Warranty.